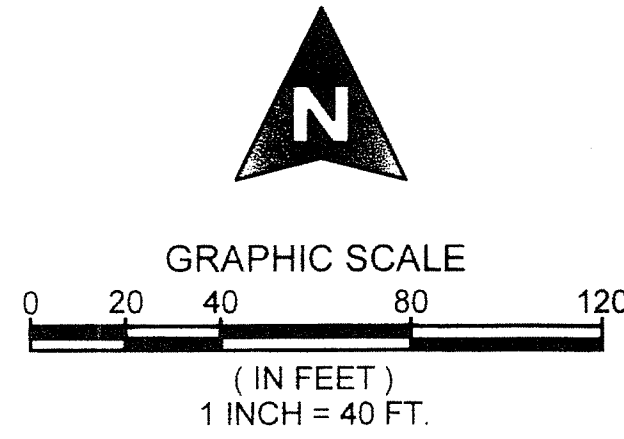
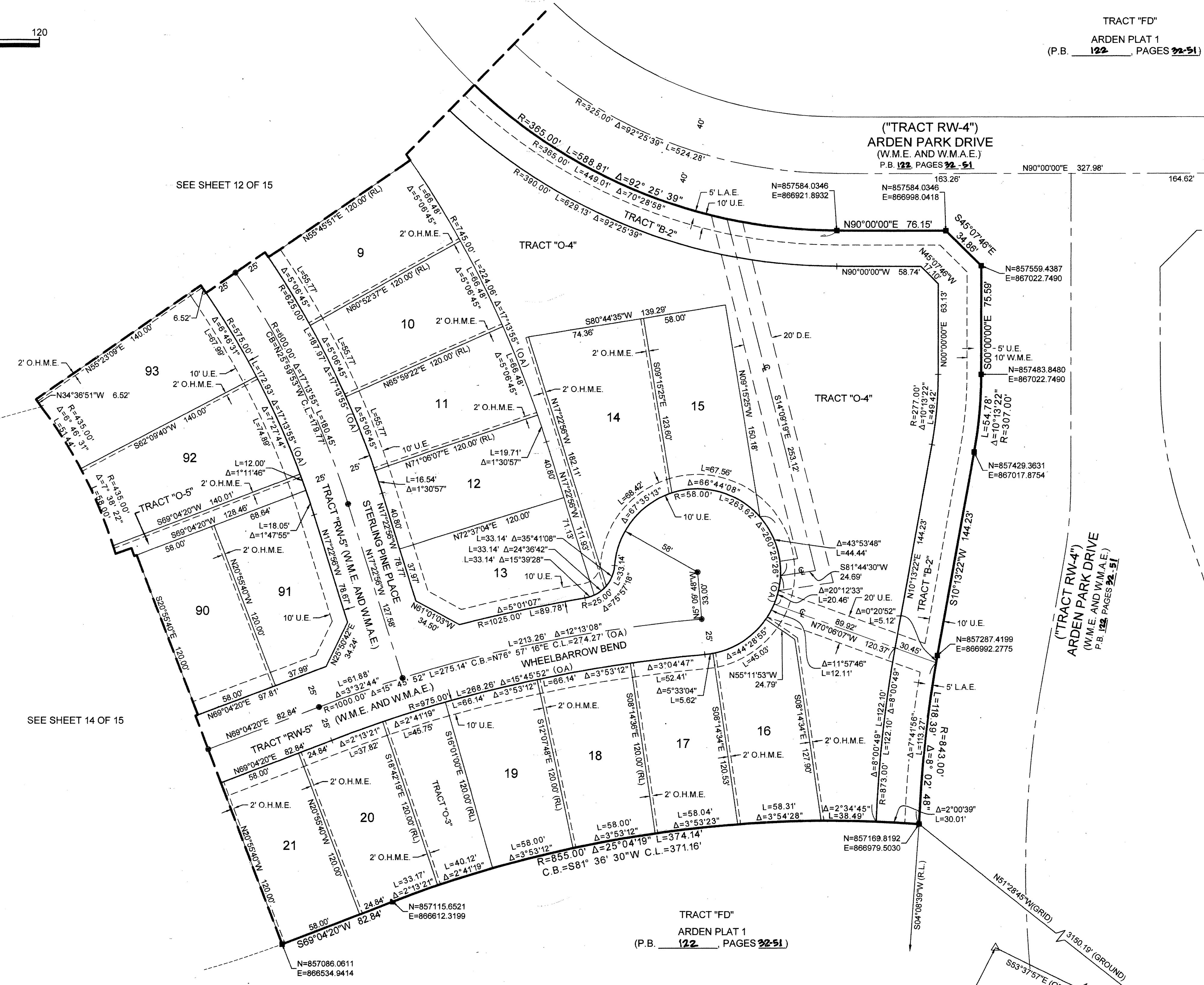


# ARDEN P.U.D. POD A EAST AND POD B EAST

BEING A REPLAT OF A PORTION OF TRACT "FD", ARDEN PLAT 1, AS RECORDED IN PLAT BOOK 122, PAGES 32 THROUGH 51, PUBLIC RECORDS OF PALM BEACH COUNTY, FLORIDA, AND LYING IN SECTIONS, 28 AND 33, TOWNSHIP 43 SOUTH, RANGE 40 EAST, PALM BEACH COUNTY, FLORIDA.



COUNTY OF PALM BEACH )  
 STATE OF FLORIDA ) SS  
 THIS PLAT WAS FILED FOR RECORD AT )  
 M. THIS ) DAY OF )  
 RECORDED IN PLAT BOOK NO. )  
 ON PAGE ) THRU )  
 SHARON R. BOCK,  
 CLERK AND COMPTROLLER  
 BY: \_\_\_\_\_ D.C.



TRACT "FD"  
 ARDEN PLAT 1  
 (P.B. 122, PAGES 32-51)

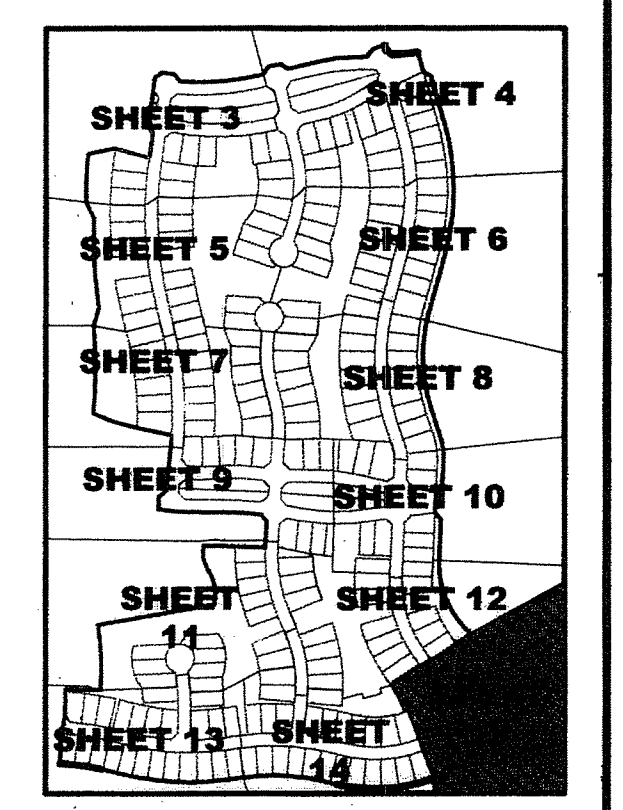
SEE SHEET 12 OF 15

SEE SHEET 14 OF 15

TRACT "FD"  
 ARDEN PLAT 1  
 (P.B. 122, PAGES 32-51)

TRACT "FD"  
 ARDEN PLAT 1  
 (P.B. 122, PAGES 32-51)

TRACT "RW-4"  
 ARDEN PARK DRIVE  
 (W.M.E. AND W.M.A.E.)  
 P.B. 122, PAGES 32-51

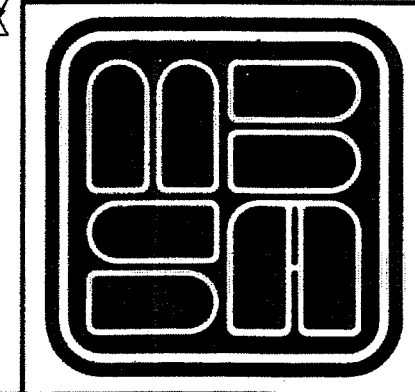


KEY MAP  
 NOT TO SCALE

N=859196.4630  
 E=864027.7710  
 FOUND PALM BEACH COUNTY  
 BRASS DISK IN CONCRETE  
 STAMPED "LEVEE 1"

N=857086.0611  
 E=866534.9414

N=855207.8820  
 E=869444.1640  
 FOUND PALM BEACH COUNTY  
 BRASS DISK IN ROUND  
 CONCRETE MONUMENT  
 STAMPED "CATHY"



**MICHAEL B. SCHORAH & ASSOCIATES, INC.**  
 1850 FOREST HILL BLVD., SUITE 206  
 WEST PALM BEACH, FLORIDA 33406  
 EB# 2438 TEL. (561) 968-0080 FAX. (561) 642-9726 LB# 2438